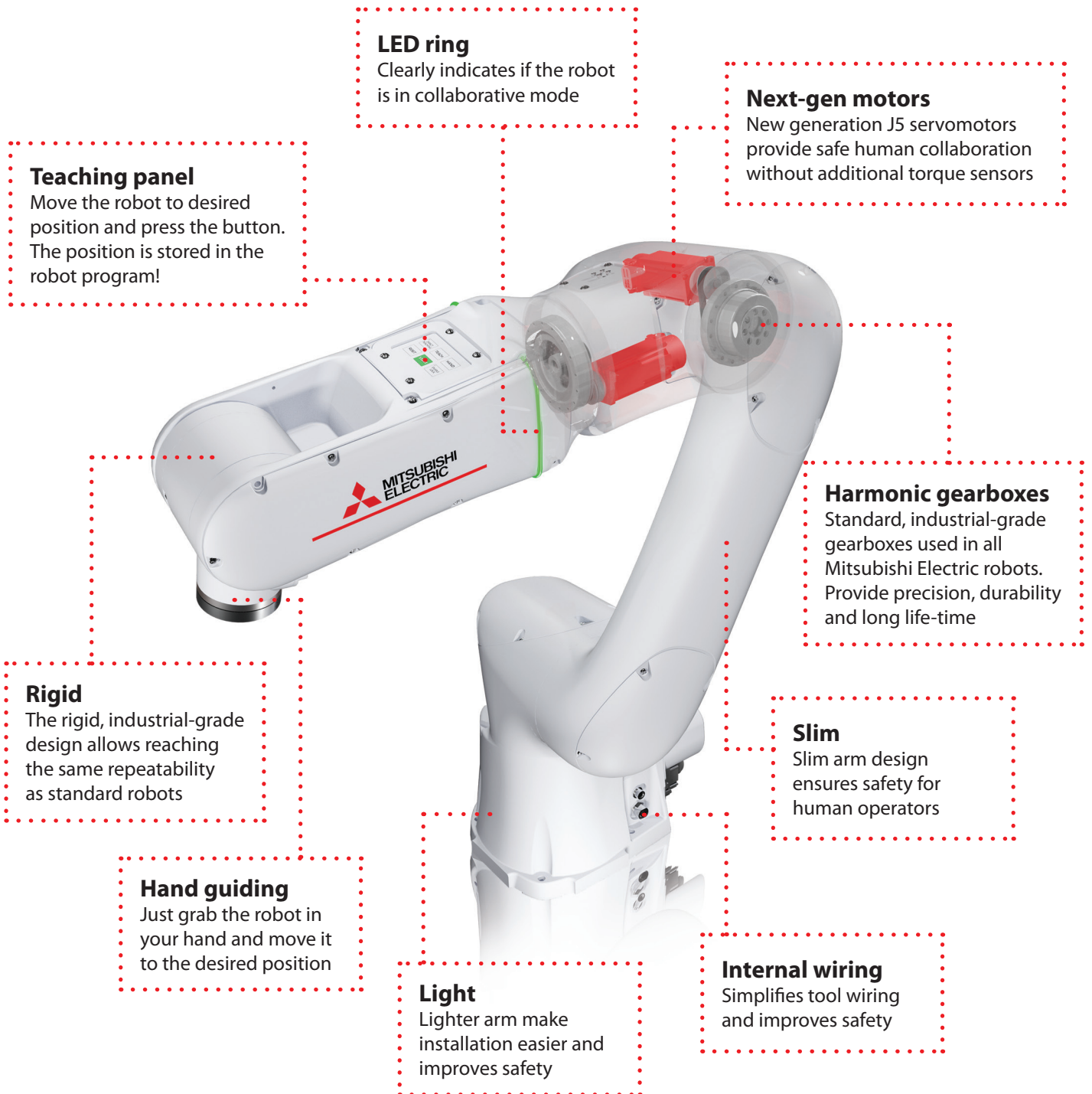




**TRULY INDUSTRIAL
TRULY COLLABORATIVE**

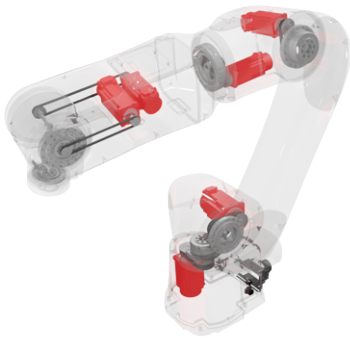
MELFA

assista



Truly industrial collaborative robot

- Industrial grade design
- Standard robot's lifetime
- Certified by TÜV
- Compatible with standard industrial equipment
- Easy to program



Industrial design

The arm is based on our 40-years experience in the design of industrial robots. Most of the used solutions are the same as in a standard, industrial robot. It gives high **rigidity** and **repeatability** – keeps high quality of your production and allows tasks that require high precision. Another advantage is a **long life-time** – the same as our other robots, working even above 10 years. All of that enhanced by **preventive, predictive** and **remote** maintenance functions.

Safety

Speed, position and force are safely limited. Compliance with ISO 10218-1 and **ISO/TS 15066** documents is confirmed by **TÜV certificate**. Maximum forces generated by the arm are within ranges defined by ISO/TS 15066. All of that without additional force or torque sensors – thanks to our **next-gen J5 servomotors**. You can also connect safety devices to detect if nobody is around and operate then with higher, not collaborative speed.

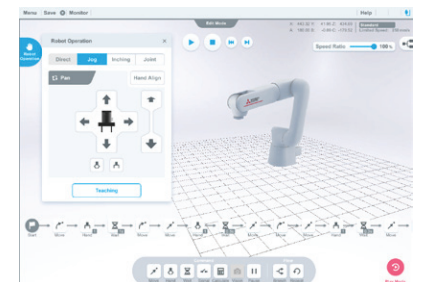


Integration

Assista is powered by compact **CR800 controller** - the same that is used for all other Mitsubishi Electric's robots. There is no difference in wiring, operation and programming. Mix collaborative and standard robots, use full-spectrum of included features, easily integrate with Mitsubishi Electric's **PLC, HMI, servomotor, CNC** and utilise a variety of industrial networks, like **CC-Link IE Field**, Profinet, EtherNet/IP or EtherCAT.

Programming

For simple tasks, we've prepared an intuitive, touch-enabled, graphical programming tool – **RT VisualBox**. Build your programs with simple **blocks**, without programming knowledge. Utilise step-by-step graphical **wizards** for setting all necessary parameters. For more complex tasks, you can program Assista using RT ToolBox3 – exactly the same way like our other robots.



Hand guiding

Simply **grasp** the arm and **move it** to the desired position. Then press the single button on the **teaching panel** on the arm. That's all! The position is added to the robot program.

Build-in functionalities

Easily attach compatible **collaborative grippers**. Connect 2D or 3D **vision systems** to enhance your application. Utilise conveyor **tracking** function to pick objects in motion. All of that as standard, **build-in** functionalities of Assista.



Technical data

RV-5AS-D

Type	Vertical 6-axis
Payload	5 kg
Reach	910 mm
Repeatability	±0.02 mm
Maximum speed	1000 mm/s
Installation	Floor, hanging
Protection level	IP54, ISO5
Grease	standard/food
Weight	30 kg
Safety	Cat. 3, PL d
Certification	TÜV: ISO 10218-1, ISO/TS 15066
Safety I/O	8 inputs / 4 outputs
Internal wiring	I/O 4 inputs / 4 outputs + 8 spare wires
	LAN x1 Cat. 5e
	Air φ4 x 4
Power supply	AC 200-230V, single phase

Included



Robot arm

Machine cable (5m)



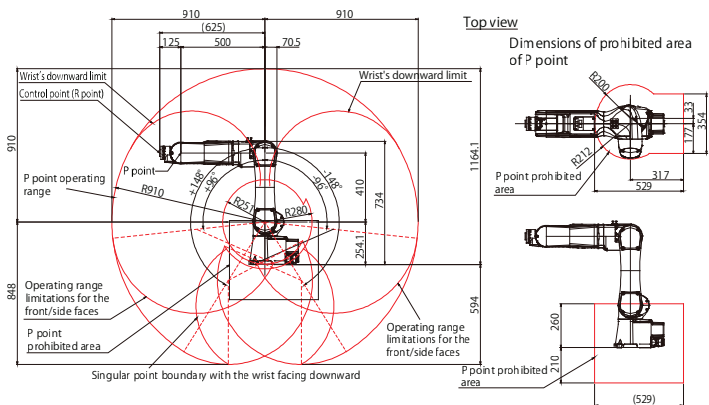
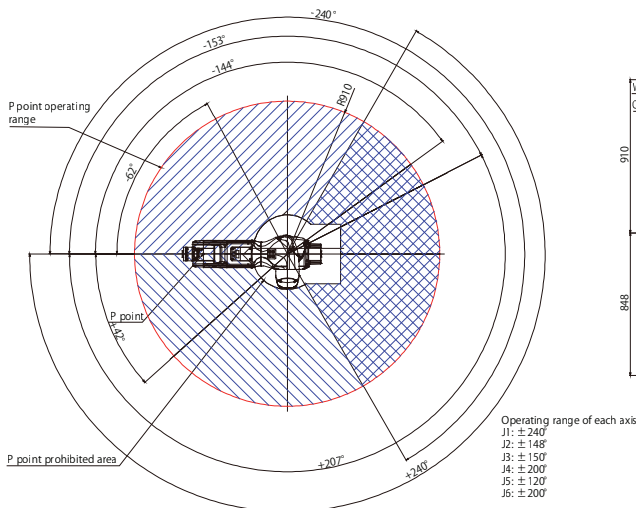
Controller



Safety I/O unit



RT VisualBox Trial



Options

Article	Name	Model	Specification
250471	Solenoid valve set	1F-VD02E-01	2x source type 2/5 pneumatic valves
218854	Teach pendant	R56TB	Standard teach pendant with 6.5" touch screen, 7m cable
218862	Digital I/O interface	2D-TZ378	Source type, 32 inputs / 32 outputs
218857	Digital I/O cable	2D-CBL05	16 inputs / 16 outputs, 5m, one end of the cable is loose
324560	CC-Link IE Field interface	2F-DQ535-CCIEF-SET	
413963	EtherCAT interface	2F-DQ535-ECT-SET	
282409	EtherNet/IP interface	2D-TZ535-EIP-SET	
269546	Profinet interface	2D-TZ535-PN-SET	
313064	Force sensor	4F-FS002H-W200	200N force sensor for installation on the robot flange
324579	Standard software	RT ToolBox3	Standard programming and simulation software
	Visual software	RT VisualBox	Visual programming and simulation software

**Global Partner.
Local Friend.**

Interested? Contact us!

+48-12-630-47-00 @ mpl@mpl.mee.com