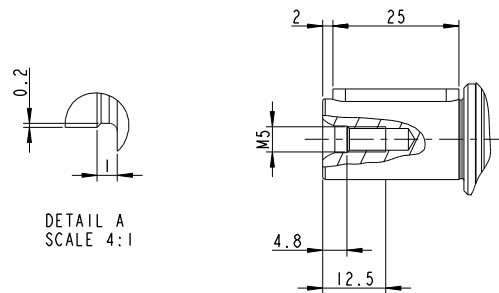
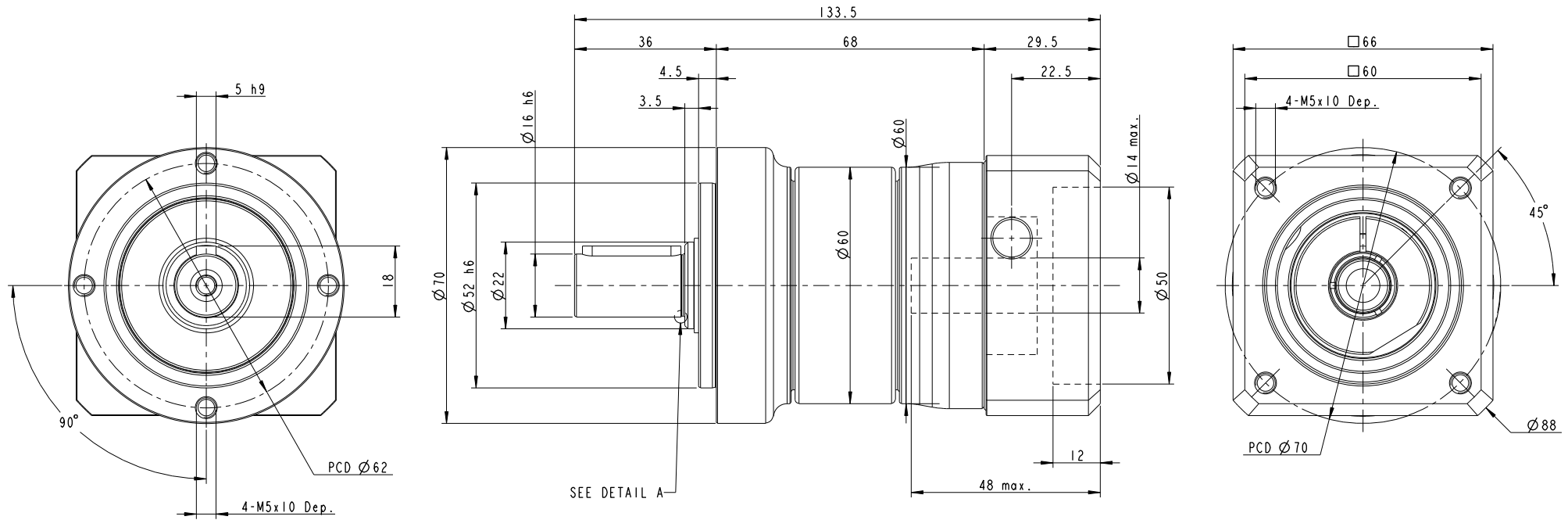




PE II 070 - 010 / MITSUBISHI HG-KR23



INERTIA: 0.22 ~ 0.25 kg-cm²
 MASS: 1.2 Kg

| | | | |
|--|------|--|-----------------------------|
| PART NO. PE2-070_IST_14-P0411300503 AD-PE2-S14-M60-3 | |  APEX DYNAMICS, INC. | |
| APPROVALS | DATE | TITLE PE2-070_1 Stage_S14 , RATIO= 3~10 AND MOTOR FLANGE MOUNTING | |
| DRAWN 沈正義 | | DWG NO. PE2-070_IST_14-P0411300503 | |
| CHECKED | |  | SIZE A3 SCALE 1:1 REV |
| APPROVED | | | |